

**DUAL MODE**

**DEL124SLD**



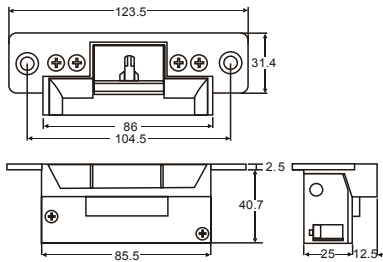
**DEL124SLD-EX**



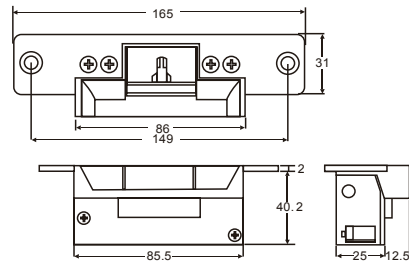
**General Feature**

- ★ DIMENSIONS:  
 DEL124SLD: 123.5Lx31.4Wx40.7Dmm  
 Keeper Depth: 12.7mm  
 DEL124SLD-EX: 165Lx31Wx40.2Dmm  
 Keep Depth: 12.7mm
- ★ FACE PLATE DIMENSIONS:  
 DEL124SLD: 123.5Lx31.4Wx2.5Dmm  
 DEL124SLD-EX: 165Lx31Wx2Tmm
- ★ Modes:  
 DEL124SLD Aluminum face plate fail secure w/door, lock monitor 12VDC  
 DEL124SLD-EX Stainless steel face plate fail secure w/door, lock monitor 12VDC
- ★ Current: 260mA/12VDC or 150mA/24VDC (specify on order)
- ★ Fail Safe/Fail Secure: Site convertible from one mode to the other (Fail secure default, unless specify on order)

**DEL124SLD DIMENSION**



**DEL124SLD-EX DIMENSION**

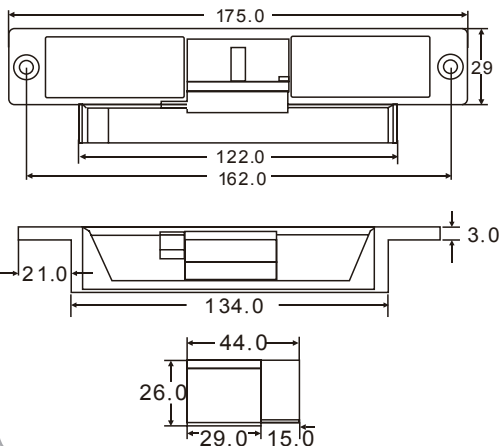


**DUAL MODE**

**DEL304SLD**



**DEL304SLD DIMENSION**



**General Feature**

- ★ DIMENSIONS:  
 DEL304SLD: 175Lx29Wx26Dmm  
 Keeper Depth: 10.8mm  
 Face Plate: 175Lx29Wx3Tmm
- ★ Mode: Stainless steel face plate fail secure w/door, lock sensor
- ★ Current:  
 280mA/12VDC or 140mA/24VDC (specify on order)  
 170mA/12VAC or 85mA/24VAC (specify on order)
- ★ Door Latch: 10.8mm
- ★ Site convertible from one mode to the other (Fail secure default, unless specify on order)

**INSTALLATION**

